

| | | | |
|---------|--|----------|--|
| PROJECT | | QUANTITY | |
|---------|--|----------|--|

P3L Ellipsoidal Light (Track)

90W LED/ 19° / 36° / 50°



ORDERING GUIDE

CXP3L - - - - - **PSP** -

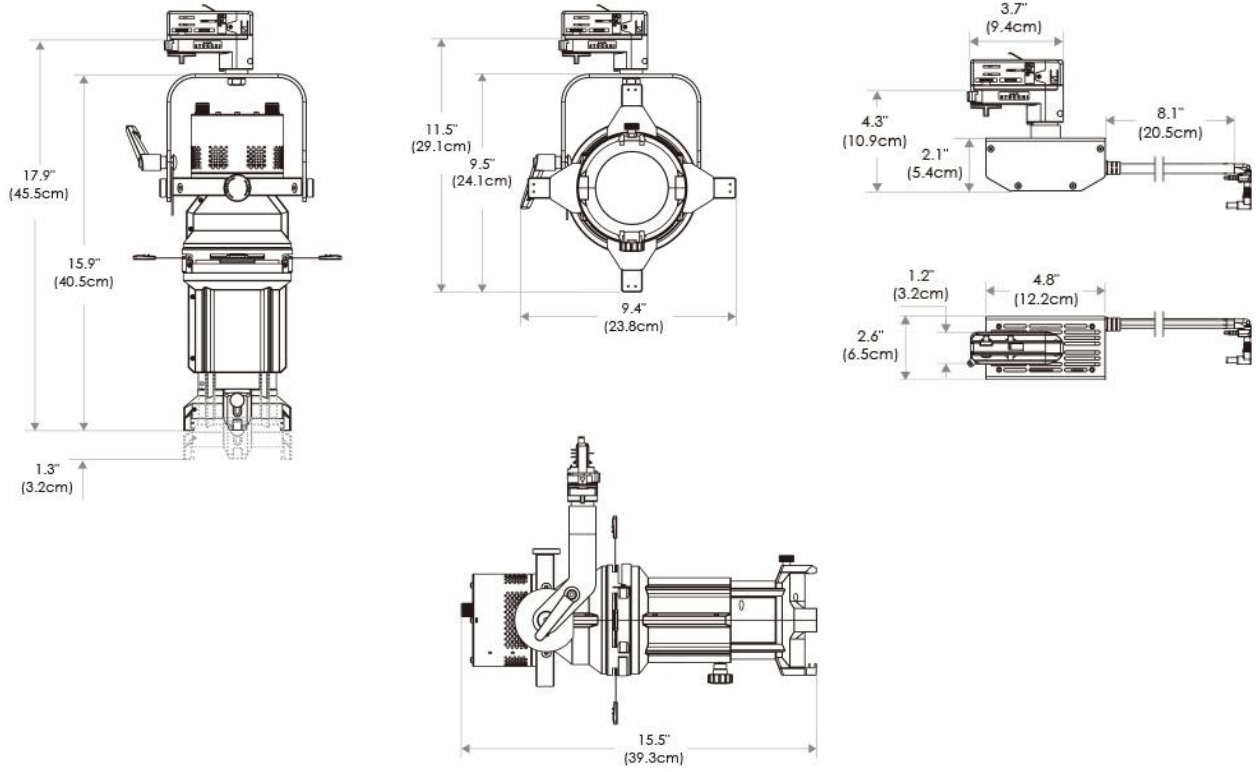
| | |
|-----------------------------------|--|
| Field Angle | |
| 19 | 19° |
| 36 | 36° |
| 50 | 50° |
| Mode | |
| CLR | All Modes |
| EZ | All EZ Modes |
| RGB | RGB Mode Only |
| CCT | Tunable CCT Mode Only |
| 3200 | Fixed 3200K |
| 5600 | Fixed 5600K |
| Finish | |
| WH | White |
| BK | Black |
| Mount | |
| TOX | w/ O-type DMX Track Adapter |
| TEX | w/ E-type DMX Track Adapter (Legacy product) |
| Power Supply & Control | |
| PSP | Power Supply w/ Pass-Through DMX |
| Plug/Connection | |
| US | US 120V |
| EU | EU 220V |

SPECIFICATIONS

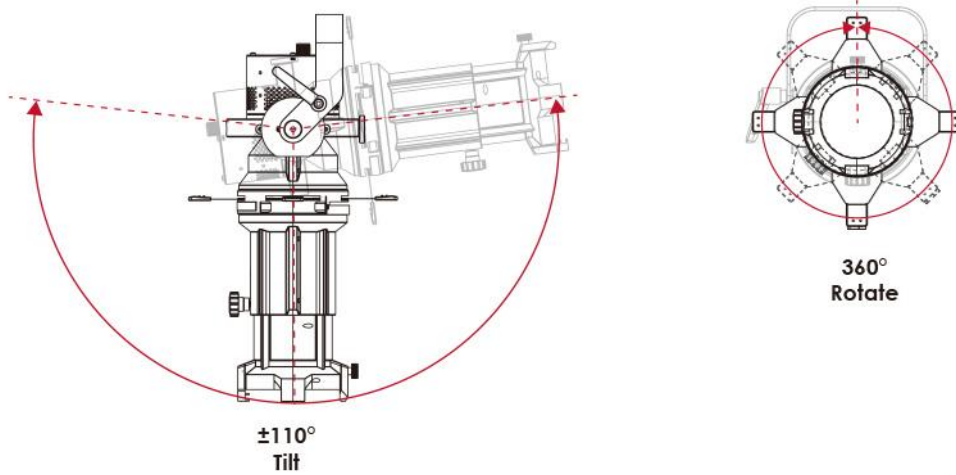
| | |
|------------------------------------|---|
| Beam Angle | 19° / 36° / 50° |
| CRI / TLCI | 95/90 typical (in CCT Mode of 2800K-6500K) |
| Dimming | 100% - 0% flicker free |
| Power Draw | 90W max |
| AC Input | 100 - 240V AC, 50 - 60Hz |
| Remote Control | DMX 512 |
| Cooling | Fan Cooled |
| Acoustic Noise | 17 dBA |
| Operating Temp. | 32 - 104°F (0 - 40°C) |
| Weight (Fixture + Power Supply) | 7.3lb / 3.3kg |
| Gobo Size | Diameter: M Size (66mm) |
| | Max Image: 48mm |
| | Max Thickness: 1mm |

- Cine-Grade Light Quality
- Point-Source LED
- DMX Controllable
- 90W Power Draw
- Carries Four Shutter Blades

MECHANICAL FIGURES



TILT/ROTATION

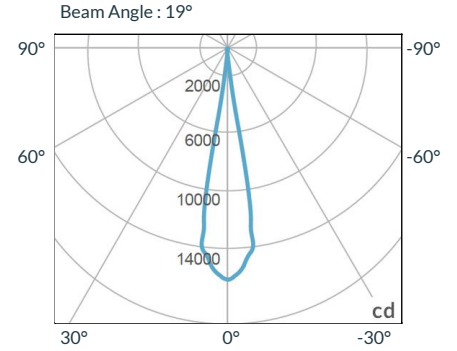


PHOTOMETRIC DATA

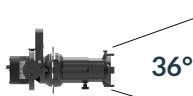
19 Degree



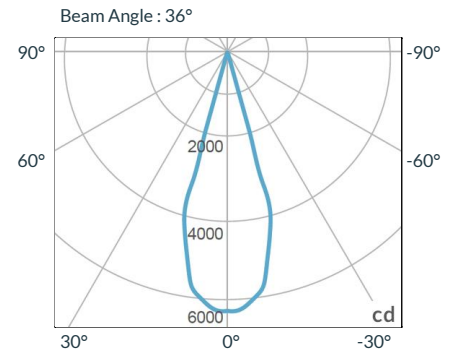
| Distance | | 3' (~0.9 m) | 10' (~3.0 m) | 15' (~4.6 m) |
|---------------|-----|-------------------|-------------------|-------------------|
| @3200K | fc | 1913 | 156 | 76 |
| | lux | 20592 | 1680 | 819 |
| @5600K | fc | 2083 | 170 | 83 |
| | lux | 22422 | 1830 | 894 |
| Beam Diameter | | Ø 0.9' (~0.3m) | Ø 3.0' (~0.9m) | Ø 4.5' (~1.4m) |



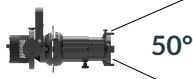
36 Degree



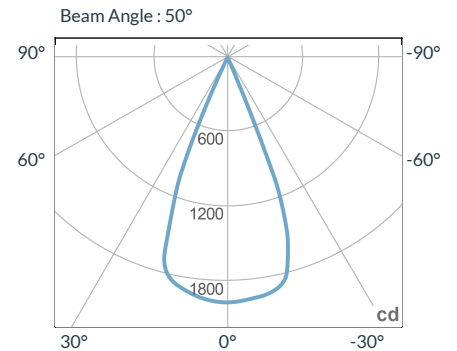
| Distance | | 3' (~0.9 m) | 10' (~3.0 m) | 15' (~4.6 m) |
|---------------|-----|-------------------|-------------------|-------------------|
| @3200K | fc | 743 | 60 | 29 |
| | lux | 7998 | 646 | 313 |
| @5600K | fc | 820 | 67 | 32 |
| | lux | 8827 | 722 | 345 |
| Beam Diameter | | Ø 1.7' (~0.5m) | Ø 5.6' (~1.7m) | Ø 8.2' (~2.5m) |



50 Degree



| Distance | | 3' (~0.9 m) | 10' (~3.0 m) | 15' (~4.6 m) |
|---------------|-----|-------------------|-------------------|--------------------|
| @3200K | fc | 269 | 22 | 11 |
| | lux | 2896 | 237 | 119 |
| @5600K | fc | 285 | 23 | 11 |
| | lux | 3068 | 248 | 119 |
| Beam Diameter | | Ø 2.3' (~0.7m) | Ø 7.7' (~2.4m) | Ø 11.7' (~3.6m) |



MODE DESCRIPTION

| Mode Description | Available Modes |
|------------------|--|
| - CLR | All Modes (8 bit and 16 bit) |
| - EZ | All EZ Modes (8 bit) (EZ CCT / EZ HSI / EZ RGBW / EZ RGB / EZ ICTHS / EZ ICT RGBW / EZ 3200K / EZ 5600K) |
| - RGB | EZ RGB (8 bit) |
| - CCT | EZ CCT (8 bit) |
| - 3200 | EZ 3200K (8 bit) |
| - 5600 | EZ 5600K (8 bit) |

See Downloads portion of webpage for full DMX profiles